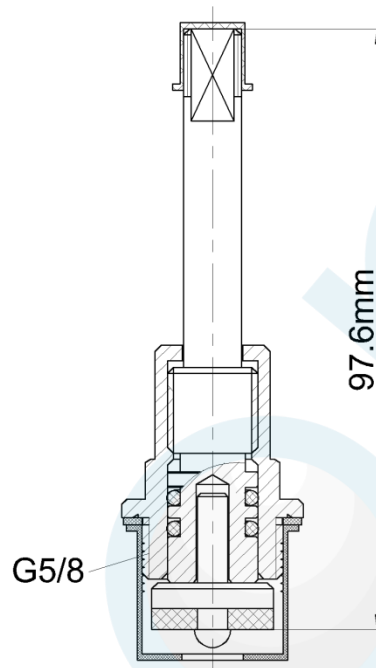


RECESS SBA STD SPINDLE

Product Code : 60422

Brand Name: **elson**



Product Specification

- Complies with AS/NZS 3718, Watermark Licence Number: WMKA 02498
- Material: DR Brass, Complies with AS 2345
- Threads: Complies with AS 1722.2
- End Connectors: Complies with AS 3688
- Suitable for Potable Water, Complies with AS/NZS 4020
- Maximum Working Temperature: 80°C
- Maximum Working Pressure: 1300 KPa

Additional Feature

- **Double O-ring Seal**

Elson Australasia Pty Ltd

Tel: 02 9625 7899 Fax: 02 9625 7855

Website: www.elson.net.au E-mail: sales@elson.net.au

Version 2.0

Aug. 2020